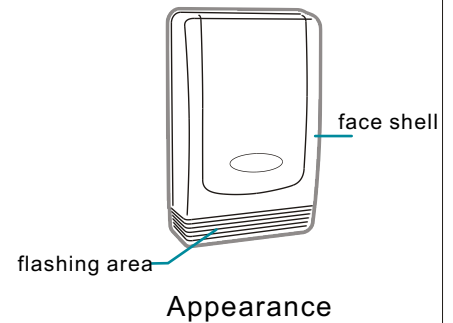


# MD-325R Wireless siren manual

## 1. Brief

Wireless siren is a kind of alarm device with strong popularity.  
Working with alarm panel, detector, remote at the same frequency to achieve flash light and alarm sound once trigger.  
Anti-tamper to avoid intentional damage or dismantle.



## 2. Technical parameter

ITEM: MD-325R

Static current  $\leq 0.7$  mA

Voltage: 6V

Transmit /Receiving frequency 433MHz/868MHz

Alarm Decibel: around 100db

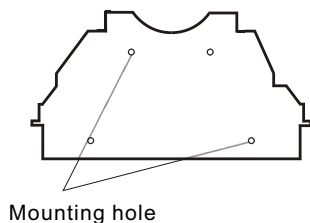
Alarm current  $\leq 500$  mA

Transmit /Receiving distance=80M(OPEN AREA)

## 3. Installation

### 3.1 Mount base bracket:

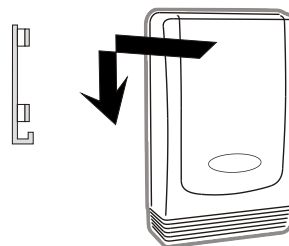
Keep away from ground on 2.4-2.8m



A. Mark drill hole and drill on the wall

B. Attach the base to the wall by screws

### 3.2 installation

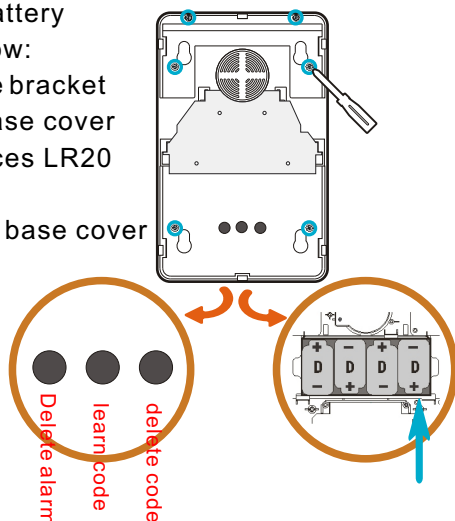


Refer to the figure on the left to install the siren.

## 4. The battery placement

Need place the batter at the first time using. When siren feedback the low battery signal, please replace the battery following below:

1. Remove the bracket
2. Open the base cover
3. Place 4 pieces LR20 battery
4. Restore the base cover



## 5. Learn code

### Enroll to panel

Enter into the coding mode of the panel, Press [learn code] key on the siren till coding LED is blinking. The siren will give sound confirmation when enroll successful.

### Enroll to other Wireless devices

Press the [learn code] key till coding LED is blinking then trigger the wireless device coding key (such as tamper switch). The siren will sound confirmation when enroll successful.

### Delete code

Press both Learn code key and delete code key, the LED will lights on 3 seconds then blink for 10 seconds. And at last keeping lighting. That means all the codes delete successful.