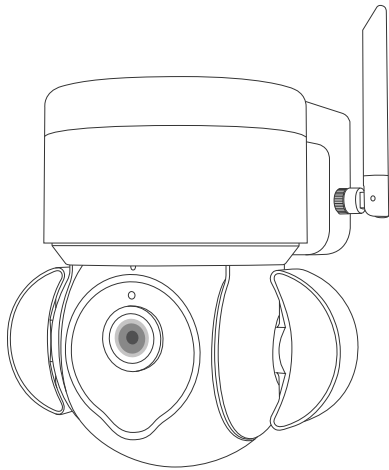


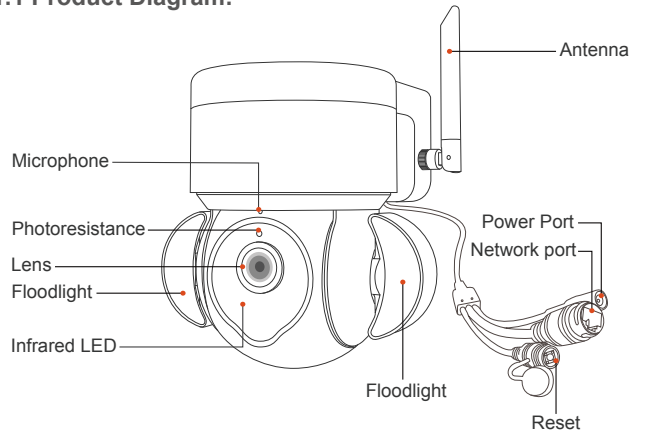
Floodlight Camera User Manual



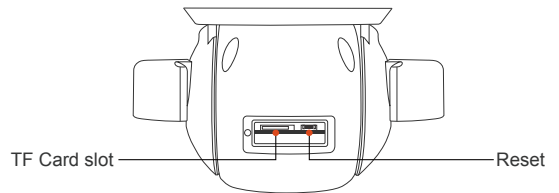
V1.0

1. PRODUCTS & PACKING LIST

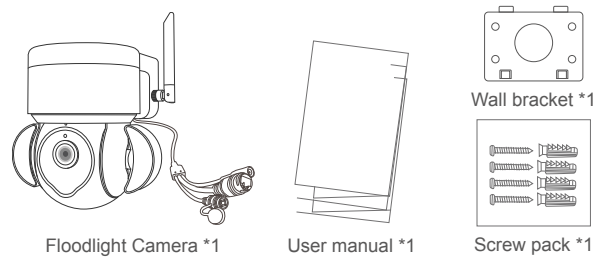
1.1 Product Diagram:



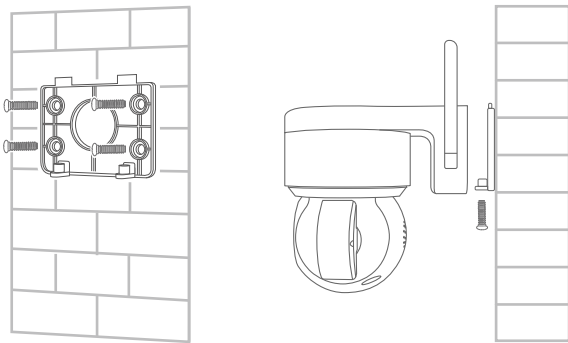
1.2 Camera Card Slot:



1.3 Packing list:



2. INSTALLATION METHOD



2.1 Install the wall bracket

2.2 Install the Camera

3 APP REGISTRATION

3.1. Search and download "Tuya" in major application markets or scan the QR code below to download the APP.

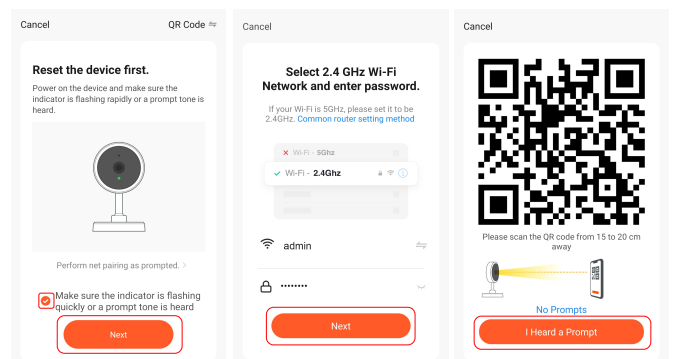


iOS / Android

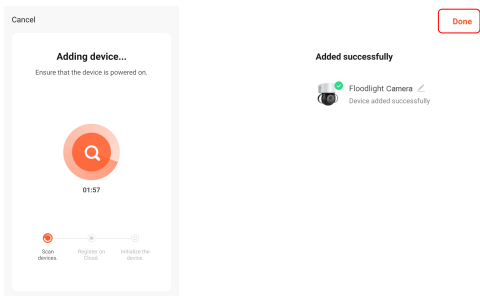
4. CONNECTING THE CAMERA TO YOUR MOBILE DEVICE

4.1. Connect the mobile device to your 2.4GHz Wi-Fi, then log in to Tuya. click 'Add Device' on the Home of the App, select "Security & Video Surveillance", "Floodlight Camera", click "Next".

4.2. Make sure the indicator is flashing quickly or a prompt tone is heard click "Next". Enter Wi-Fi account and password, click "Next". Hold the mobile phone screen in the front of the camera, the distance between the two should be 15 to 20 cm, Try not to shake the mobile phone during the scanning.

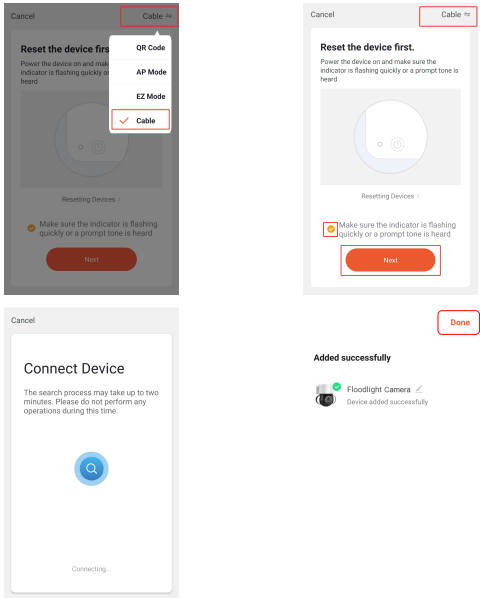


4.3. When you hear 'Connect Router', click "I Heard a Prompt", and wait for connecting, Device added successfully, you can choose the device name and room scene.



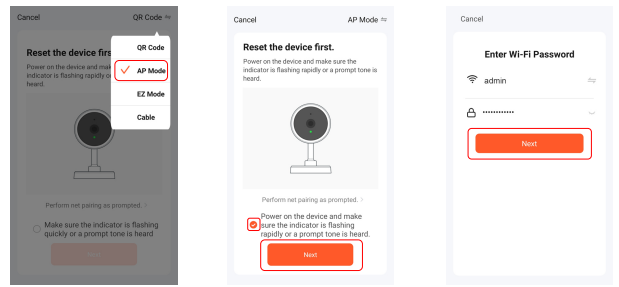
5. CONNECTING BY NETWORK CABLE

5.1. If you use NETWORK CABLE connect camera with internet, please select "Cable" for config the camera

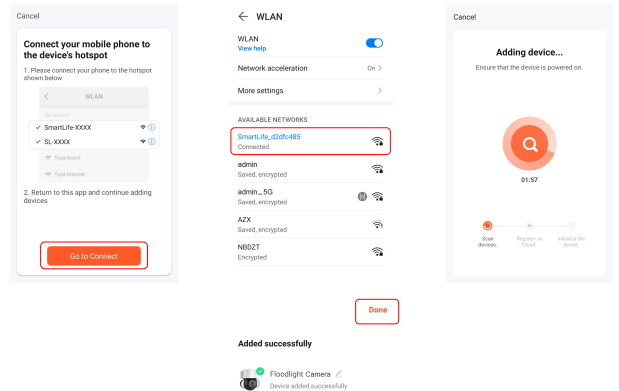


6. CONNECTING BY AP HOTSPOT

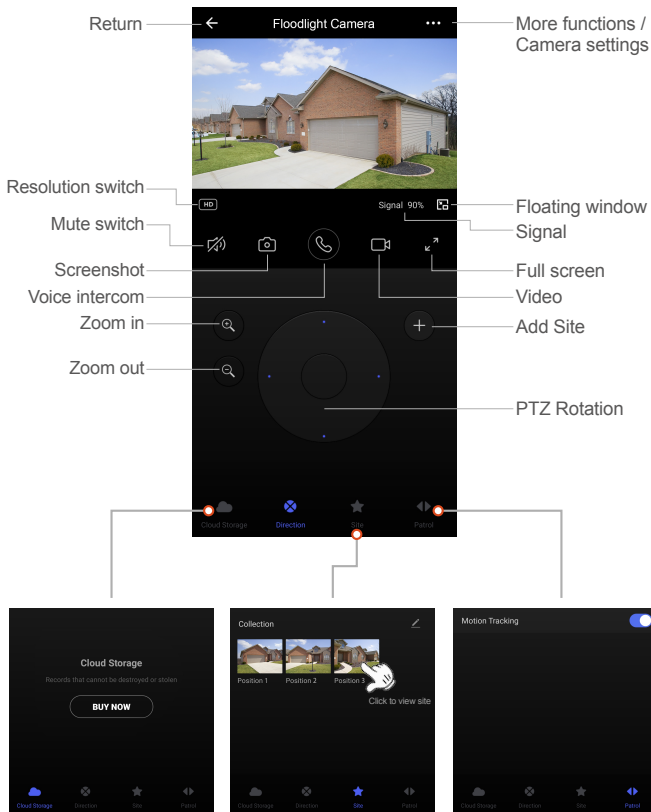
6.1. If you use AP HOTSPOT connect camera with internet, please select "AP Mode" for config the camera



6.2. Open the mobile phone Setting--Wifi list and connect to "SmartLife" hotspot, such as "SmartLife-XXXXXX", Enter the WIFI password "12345678", please wait for 1 minute after connecting to hotspot.



7. FUNCTIONS INTRODUCTION



Cloud storage:

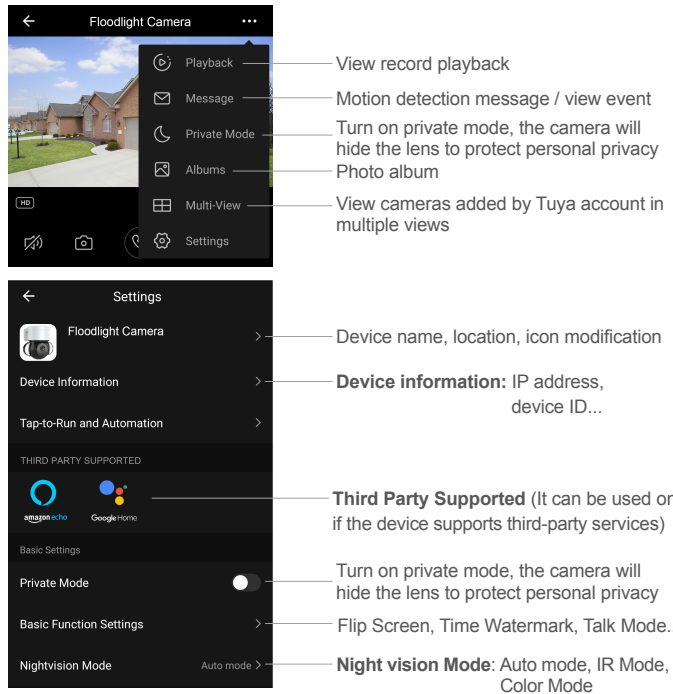
We offer 30-day-long cloud service, after that you can choose to pay for the service with a low cost.

Site:

You can set up a site by adding a site, click on the site you want to view, and the camera will automatically rotate to that site

Patrol:

Turn on motion tracking, the camera will automatically track moving objects



PC BROWSER TO VIEW THE CAMERA:

<https://ipc.ismartlife.me>

