


HY511 WiFi heating thermostat manual

<p>Search “Smart life” or “Smart RM” APP on Google play or APP store to download it .</p> 	<ul style="list-style-type: none"> ● Power on state , press and hold the key combination “▲” and “▼” Activate WIFI distribution network icon ● APP advance setting password is 123456
---	---

Specifications

- ◇ Power: 90-240Vac 50/60HZ
- ◇ Sensor: NTC(10k)1%
- ◇ Current: 3A(WW); 16A(WE)
- ◇ Set temperature range 1~70°C
- ◇ Default set temperature range: 5~35°C
- ◇ Accuracy: ±0.5°C
- ◇ External sensor: options (NTC)



Display icon

- 🌡 Room temperature **EXT** External temperature **SET** Set temperature
- 🔒 Child lock ☄ Antifreeze 🌊 On heating
- 📅 Holiday mode 🔄 Program mode 🖱 Manual mode
- 🕒 Temporary manual mode 🗨 Blinking, activate window function
- 📶 WiFi connection, flashing EZ distribution mode
- ☁ Cloud icon: flashing AP distribution network mode
- 📶 Wifi status: Disconnection
- ❄️: Cooling mode, this icon is always displayed when switching to cooling mode and flashes when the cooling load is output

Operation key

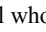
- ☰ Turn on/off thermostat .
- Power off state ,short press to turn on;
- Power on state ,long press to Turn off ;
- Power on state ,short press to choose manual or program mode (must connect WIFI)
- ▲ + ▼
- Power on state ,long press to connect wifi
- ☰ and ▲

- ▼ Power off state ,long press to set advance options
- Decrease key;
- Long press to unlock/locked;
- ▲ Increase key ;
- long press to check temperature of external sensor
- On program mode, short press “▲” or “▼” into temporary manual mode

Advance option

Turn off thermostat, long press “☰” + “▲” to enter advance option. Short press “☰” to choose item, short press “▲” or “▼” to change the value.

No.	Items	Parameter	Default
1	Measure Temperature Calibration	-9~+9°C	-1
2	Temperature return difference	0.5-2.5°C 05: 0.5°C 10: 1.0°C 15: 1.5°C 20: 2.0°C 25: 2.5°C	1°C
3	External sensor return difference	1~9 °C	2
4	Choose sensor	N1: inner sensor (high temperature protection closed) N2: external sensor (high temperature protection closed) N3: inner sensor for temperature controlling, external sensor for high temperature protection	N1
5	Child lock	0: half lock; 1: full lock	0
6	High temperature protection	1: 20°C-70°C 2: less than 20°C , display【--】, mean closed this function	45
7	Low temperature protection	1: 1°C-10°C 2: more than 10°C , display【--】, mean closed this function	5
8	The lowest setting temperature	1-10°C	5
9	The highest setting	20-70°C	35

	temperature		
A	Descaling function	0 :closed 1 :open	0
B	Power with memory function	0 : Power with memory function 1: Off state after connecting with power 2: On state after connecting with power	0
C	Standby display	0: display nothing 1: Display temperature 2: Display temperature bright	2
D	Reset	Long press “  ” until whole display	
E	Window function triggers temperature	5-25°C,settingtemperature is 10°C, decrease it,will display 【--】,then canceled this function	--
F	Window function running time	5-60min	15
H	Heating/Cooling mode	0: heating 1: cooling	0

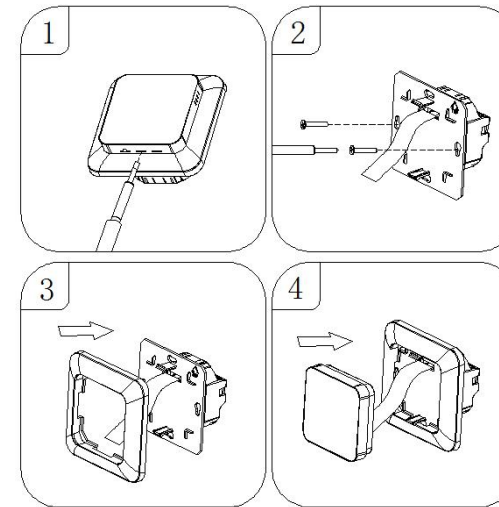
Return difference : limit valve of external sensor is 45°C for factory default (6),value of external sensor control return difference (3) is 2. when temperature rise to 45°C,then relay stop working and will remind high temperature protection alarm. If temperature decline to 43°C relay continue to work and alarm will be relieved. (it can be operated ,only when indoor temperature is lower than setting temperature)

Sensor fault display:please choose correct working way of built-in and external sensor, if choose wrongly or sensor fault (breakdown), “E1” or “E2” will be displayed on the screen. Thermostat will stop heating until the fault is eliminated

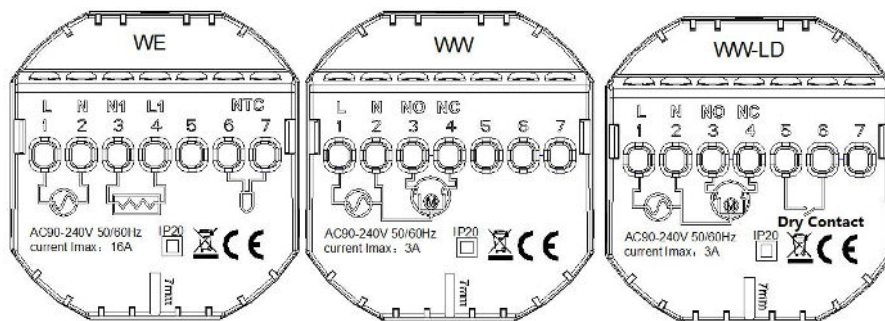
Warranty:

We offer the warranty of 18 months, from the sales day. The products of our company can have lifetimewarranty ,if it is not the quality problems, or beyond the warranty period, we will charge for the after-saleservice.

Installation



Wiring



WE:electrical heating WW:water heating WW-LD:boiler heating and water heating