

User Manual-Smart Key Box

TTLOCK VERSION(Physical Button)



Fingerprint



Access Card



Password



Manual Key



APP



Scan QR code below to download the APP



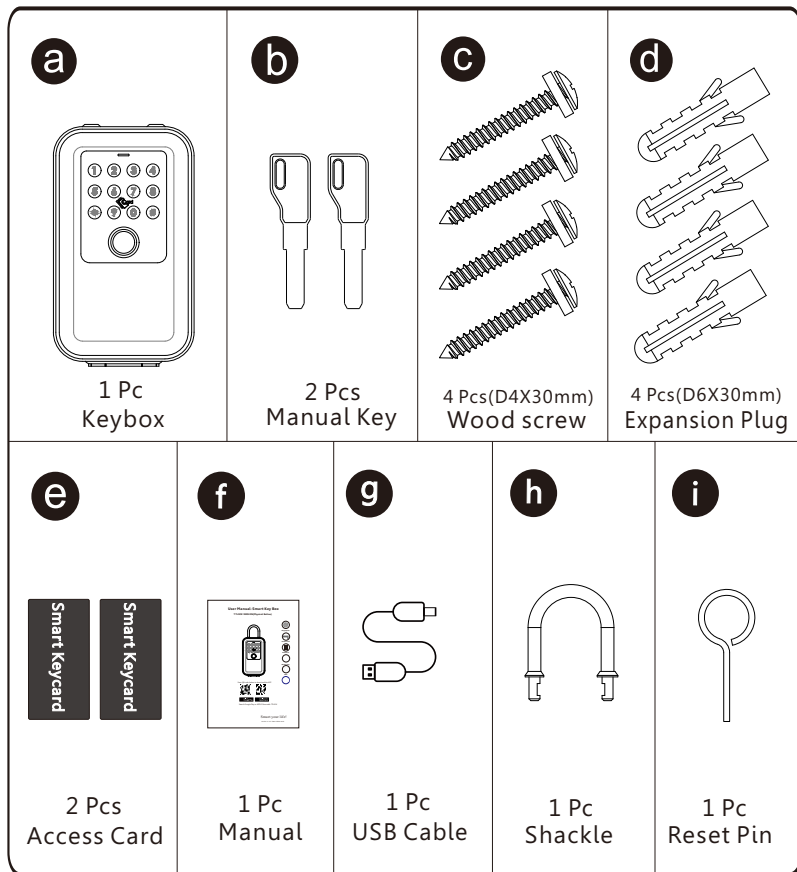
Search Google Play or APPLE Store with TTLOCK

Smart your life!

Version 1.1 K7-TTBLE Edition 2025

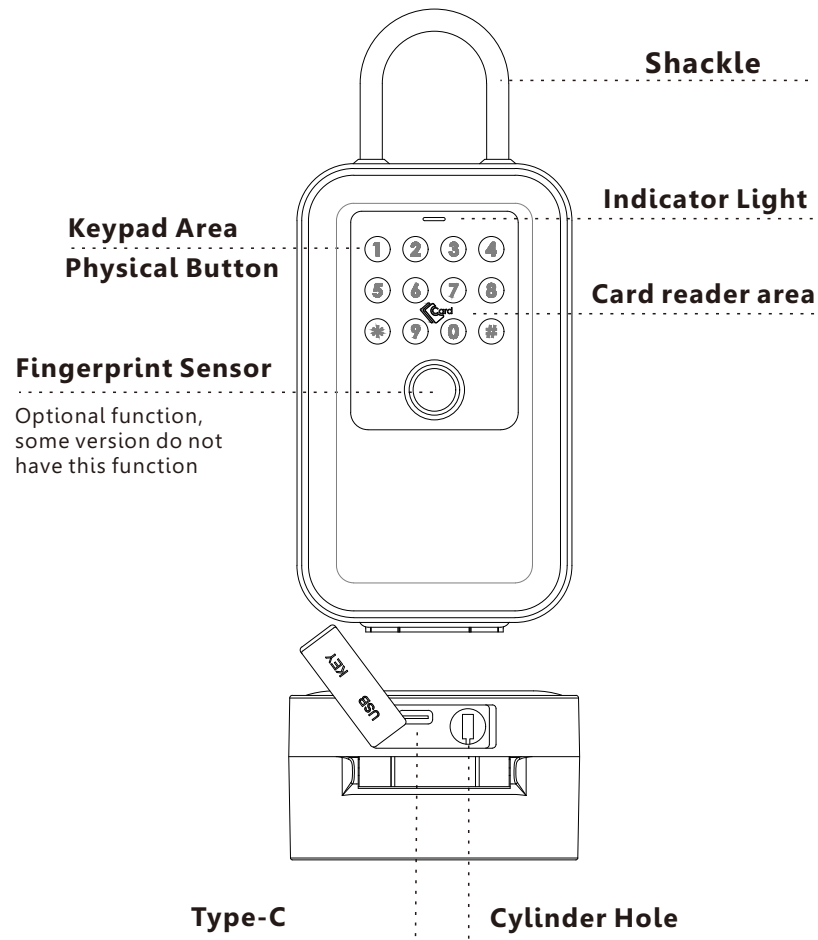
1 PACKING ACCESSORIES

Please check the packing box and accessories when you got the lock in hand.

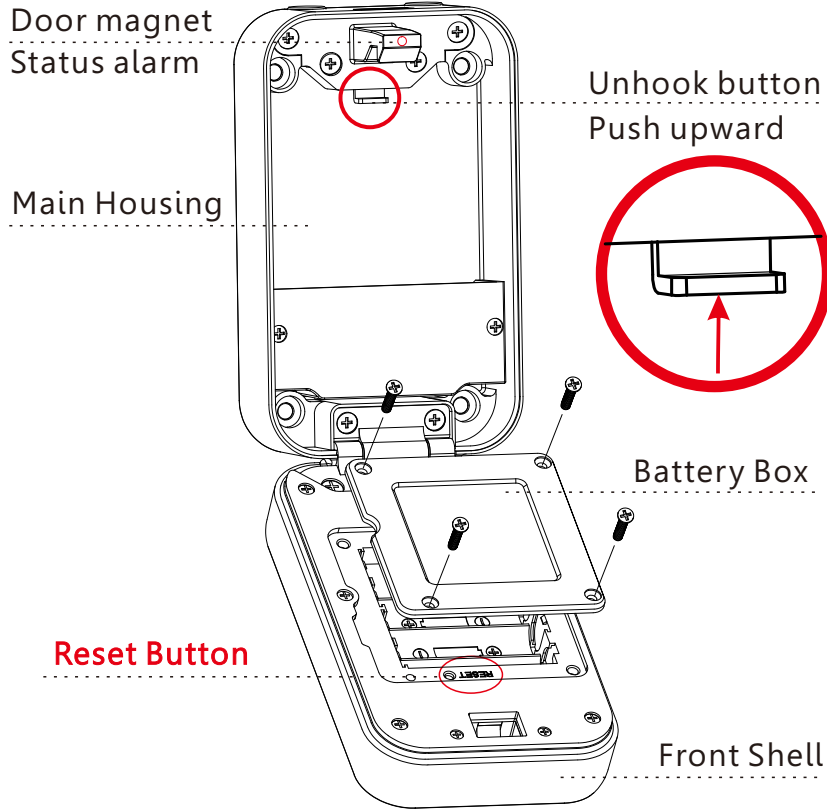


2 PRODUCT SPECIFICATION

Front



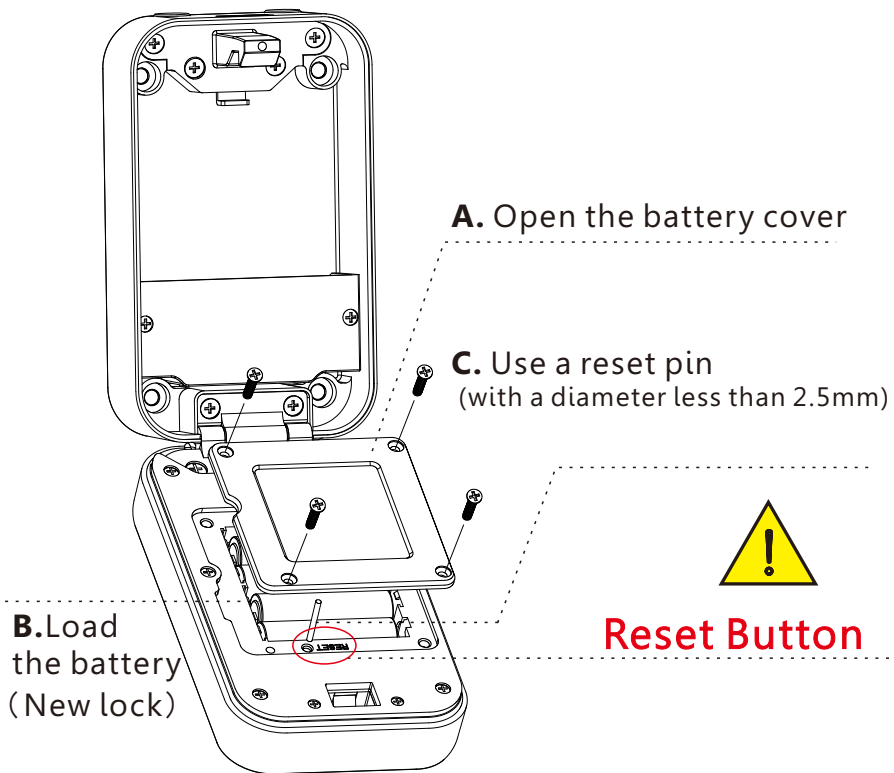
Inside



3 SYSTEM INTRODUCTION

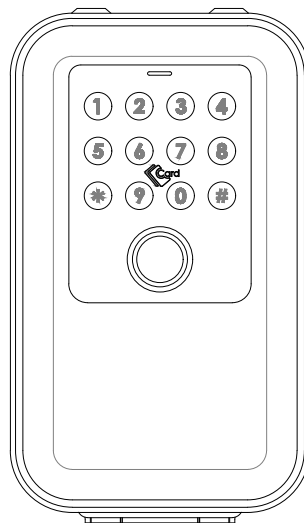
Main material	Aluminum alloy,ABS
Available Color	Black/White
Installation Type	Wall mounting or work with knob lock by shackle
Communication	BLE5.0
Support OS	iOS 7.0 or above, Android 4.3 or above
Battery Life	5000 times normal unlock(10-12 months)
Power Supply	DC6V:4pcs AA alkaline batteries
Static Current	<50uA
Dynamic Current	<200mA
Unlock Way	APP,Passcode,Card,Manual key,Fingerprint(optional)
Unlock Time	1~1.5 seconds
Working Temperature	-20~55 degree
Working Humidity	20%~95%
Factory Password	Factory master password:123456#, after configuration, it will be invalid
Virtual Password	Available
IP Level	IP65 Certificated
Door Status	Lock/Unlock state alarm on APP
User Capacity	Fingerprint: 100; Passcode: 250 and Card: 1000.

4 RESET TO FACTORY STATE

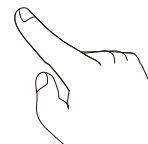


⚠ ATTENTION

There is a reset button on the back of the front shell, After the device is powered on, long press the button for 3 seconds, and there are two sound beep to indicates that device is successfully reset. Then default master passcode is 123456 and confirm with#. Please enter the passcode to unlock the key box.



Factory State:
Default passcode
123456+ # to unlock.

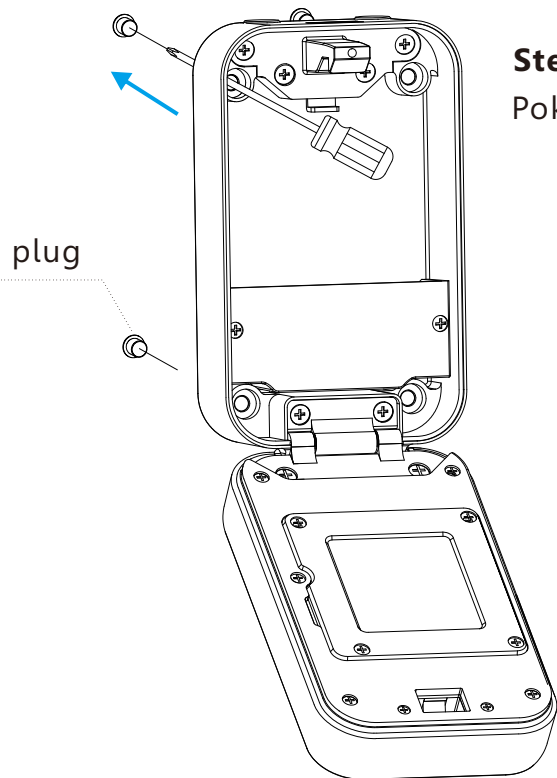


5 INSTALLATION STEPS

5.1 Wall Mounting

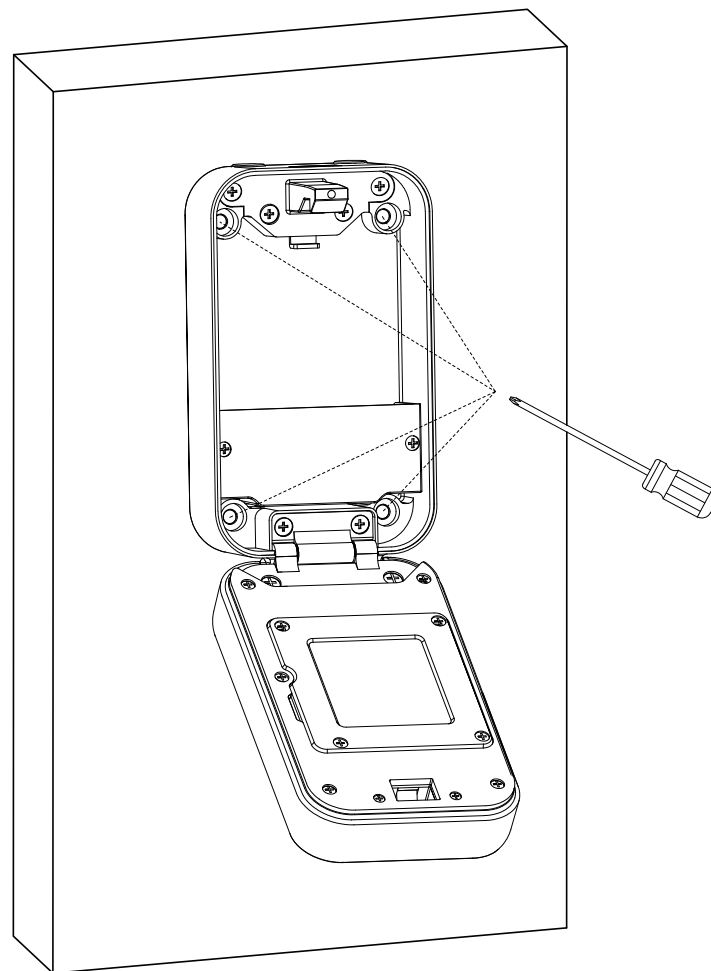
Fixed on the wall, the line must be at a suitable height from the ground

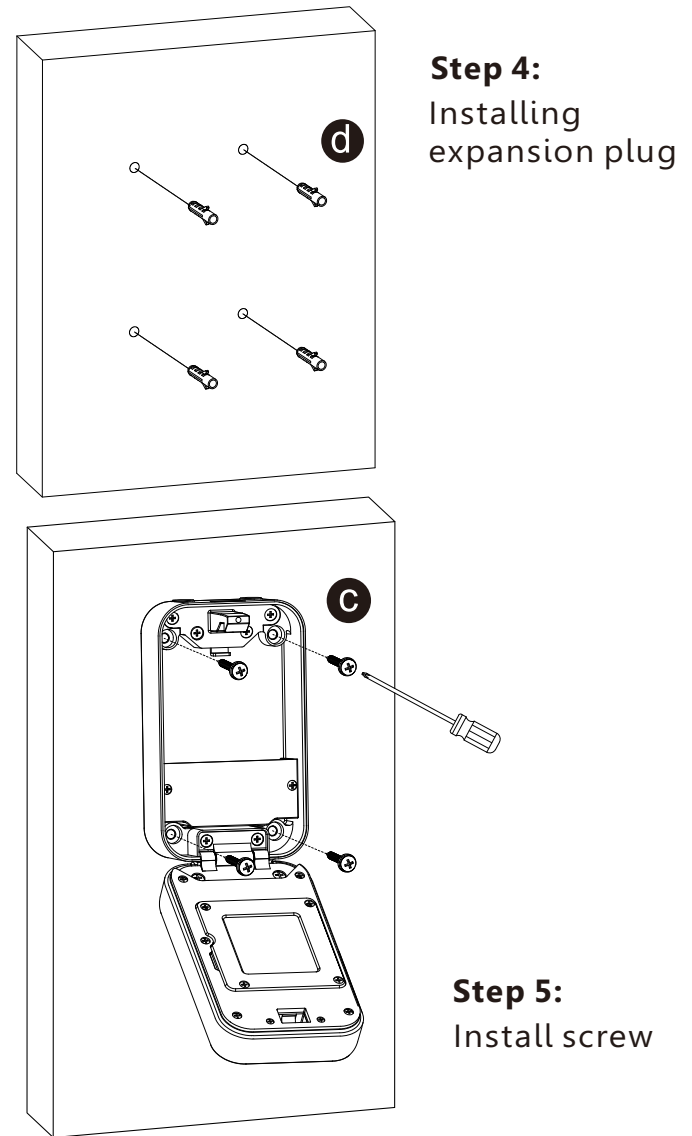
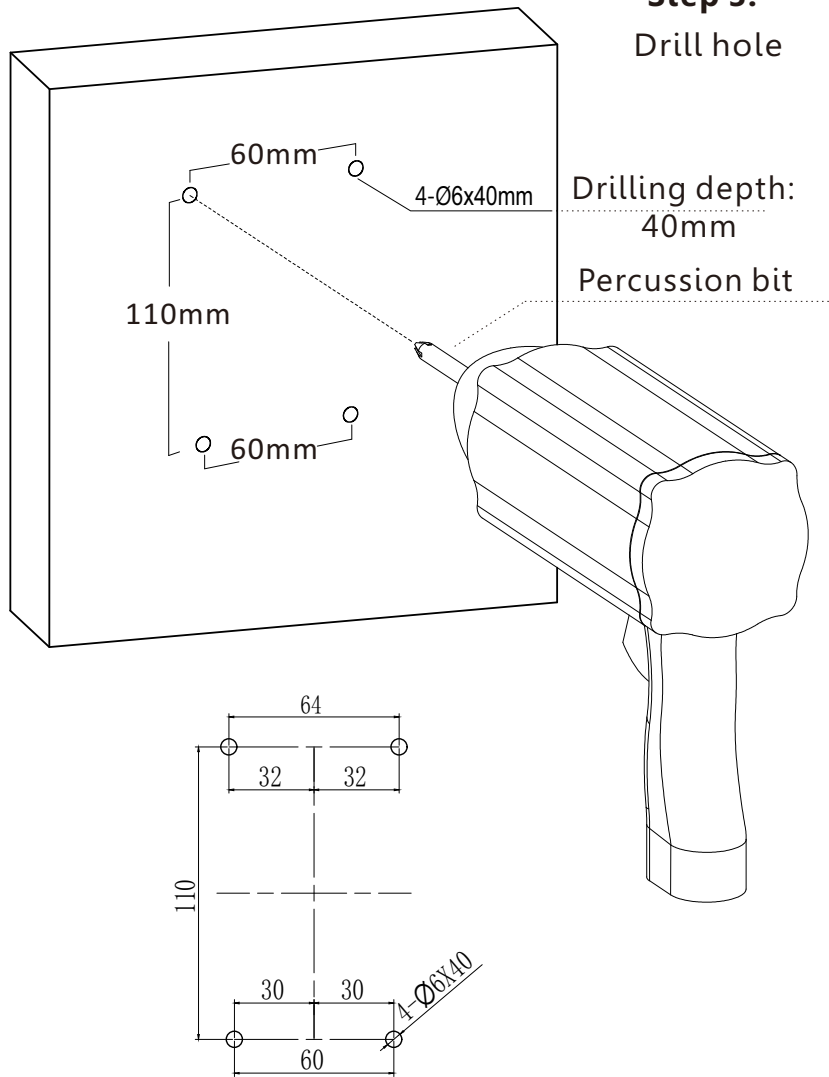
5.1.1 Wall Mounting (Brick wall)



Step 1:
Poke out hole plug
(4 pieces)

Step 2: Key box as template

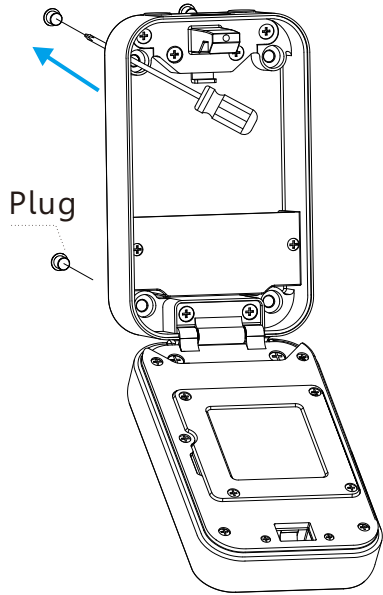




5.1 .2 Wall mounting(Plank)

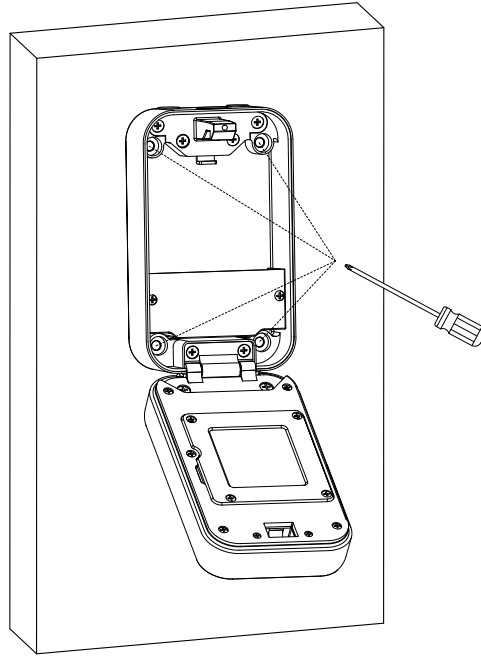
Step 1:

Poke out hole plug



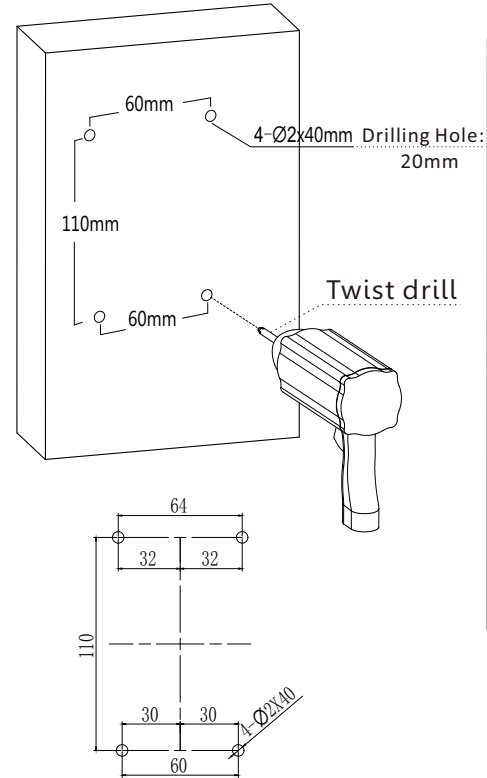
Step 2:

Key box as template



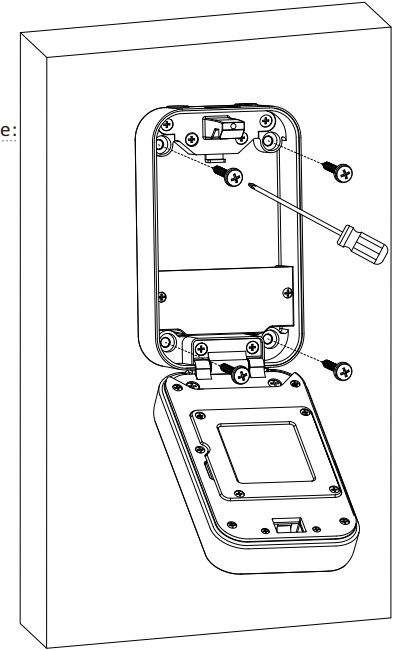
Step 3:

Pilot drill



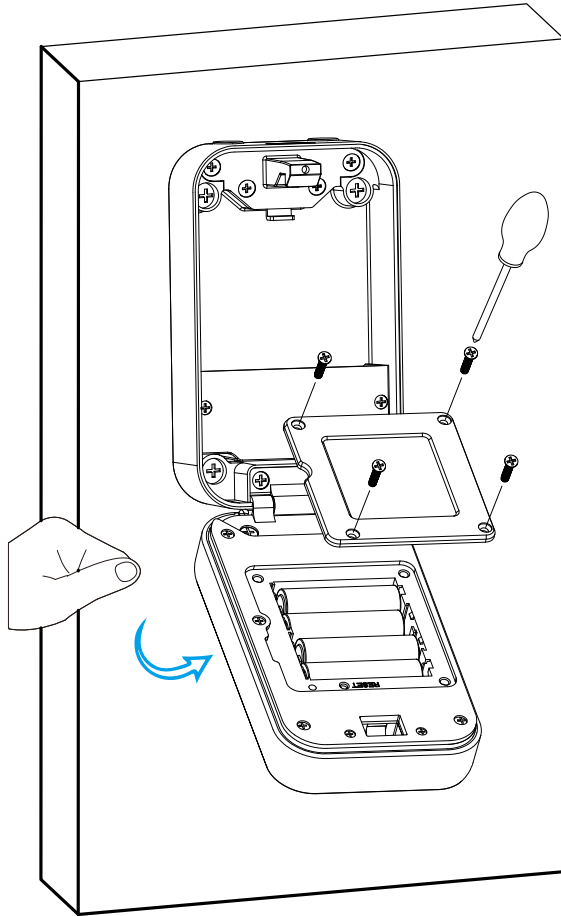
Step 4:

Install screw



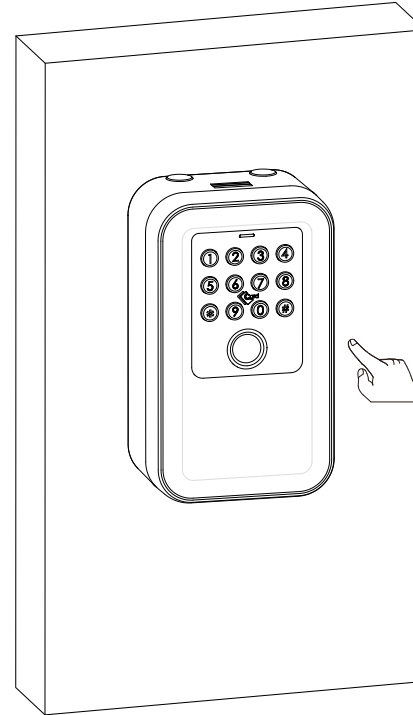
5.1 .3 Battery Mounting

Put 4pcs AA alkaline batteries and fix the battery box cover.



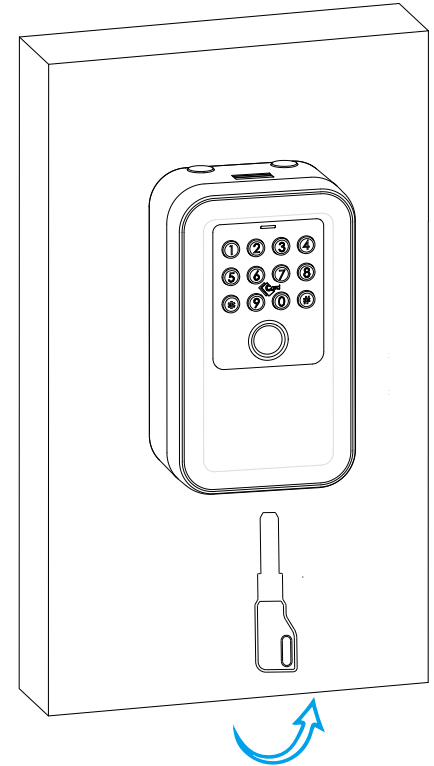
5.1 .4 Functional Test

*Press fingerprint or passcode to unlock the key box.



5.1 .5 Key Test

*Test the key to unlock properly



***Don't put the keys inside the box**

5.2 Hanging Garment

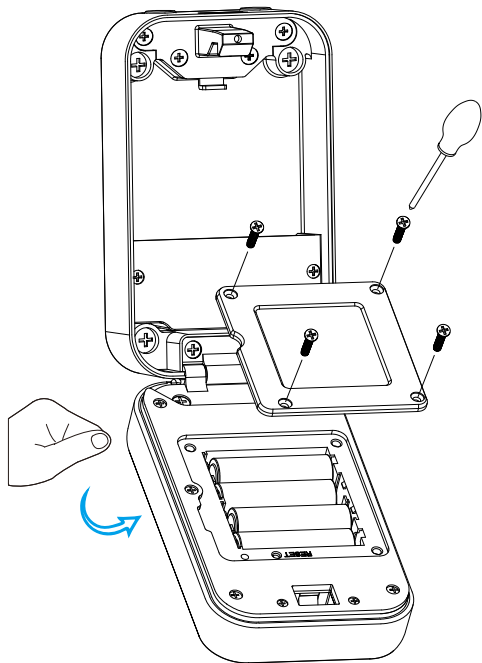
5.2.1 Unplug

Rubber plug



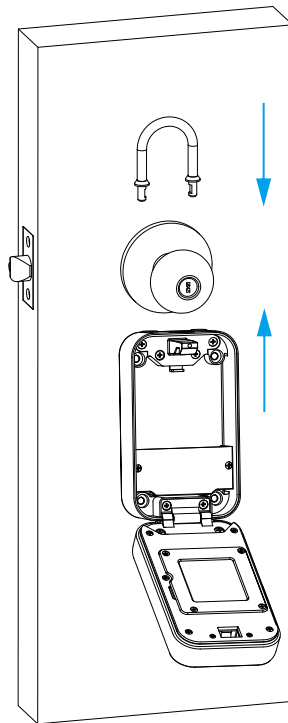
5.2.2 Battery mounting

Put 4pcs AA alkaline batteries and fix the battery box cover.



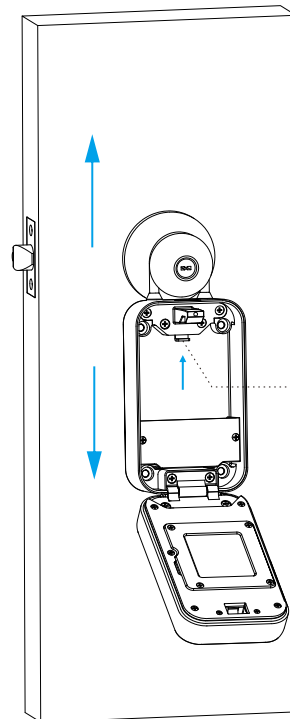
5.2.3 Shackle Locking -knob

Buckle the shackle and lock box in the direction of the arrow.



5.2.4 Shackle unlock -knob

Push the button to the top, then detach the lock box and shackle.

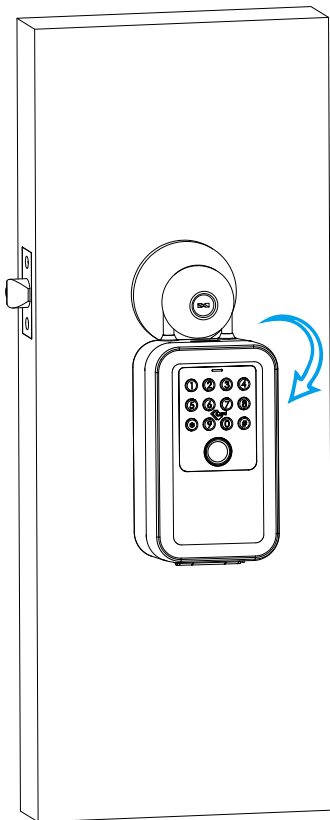


**Unhook
button**

You need to push up hard to unhook

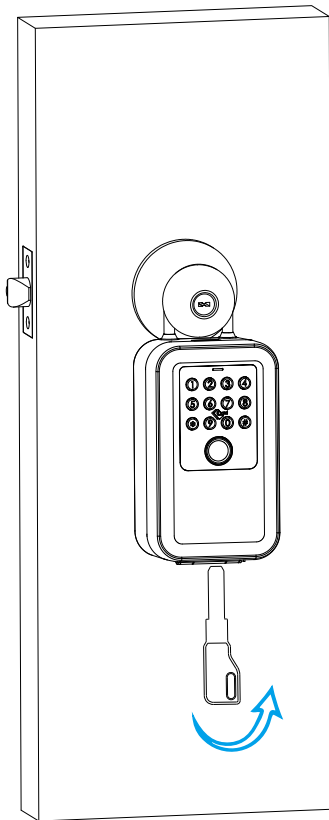
5.2.5 Functional Test -knob

*Press fingerprint or passcode to unlock the key box.



5.2.6 Key Test-knob

*Test the key to unlock properly



***Don't put the keys inside the box**

6 TTLOCK APP Settings

Please download the TTLOCK on Apple store or Google play. also you can scan the QR code below to download the APP directly.

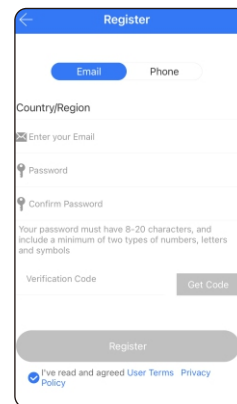


GET IT ON
Google Play

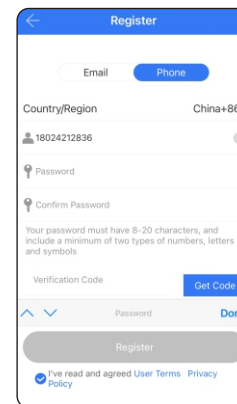


Download on the
App Store

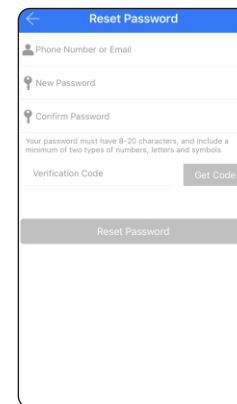
6.1 Register: Please register one account with your E-mail or mobile number.



6.1.1 Sign up and Register with mobile or Email



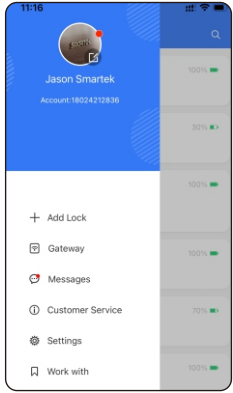
6.1.2 Enter mobile or mail Login with right password



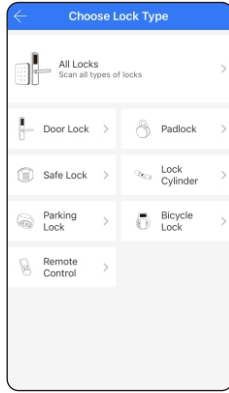
6.1.3 You can reset your password

6.2 Configure the Lock

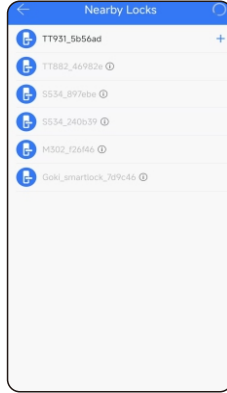
Please run the TTLOCK APP and click “**Add LOCK**” on the left side of system setting and follow the steps to configure the lock with APP:



Step 1:
Add Lock



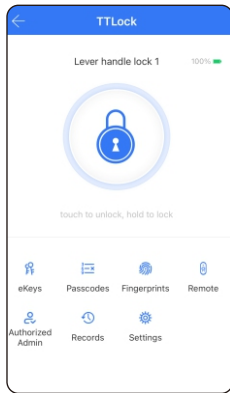
Step 2:
Click “All Locks”



Step 3:
Press +
Choose First Lock



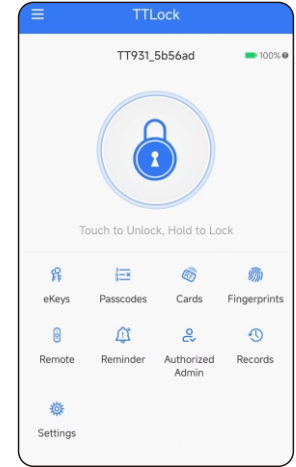
Step 4:
Add Lock Successfully
Rename the lock



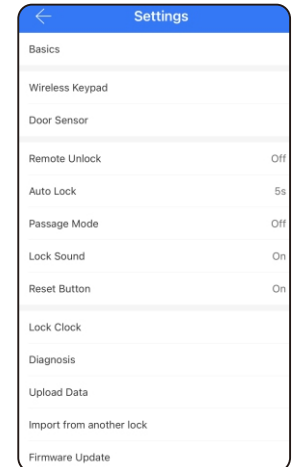
Step 5:
Done

6.3 Function Description

Under lock settings, you can see the features for the smart locks, such as eKeys /IC card/ Fingerprint/Remote Unlock/unlock records and settings etc.

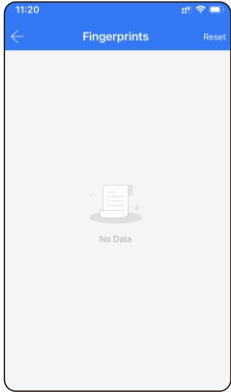


There are many special features under the TTLOCK APP settings. you can make the setting according to your daily requirement.

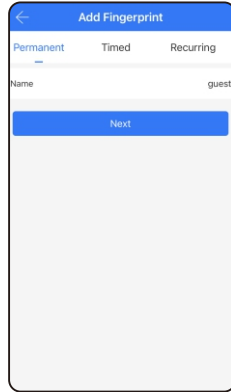


6.4 Enroll User Fingerprint

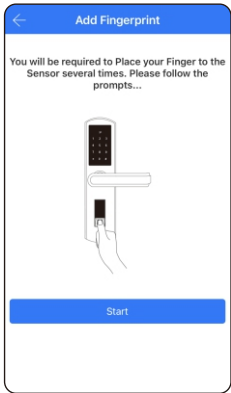
Under the lock setting, you can click the **"Fingerprints"** and enroll the fingerprint. There is permanent/timed and recurring fingerprint for different condition.



Step 1
Add Fingerprint



Step 2
Choose Permanent Type



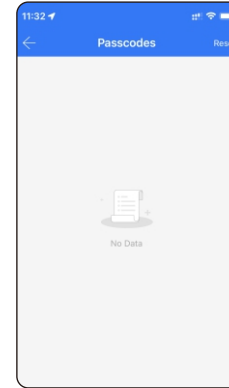
Step 3
Click Start



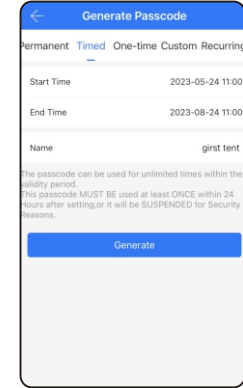
Step 4
Press fingerprint 4 times

6.5 Enroll User Passcode

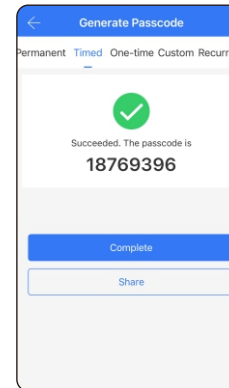
Under the lock setting, you can click the option **"Passcodes"** and enroll the passcodes. There is permanent /timed and recurring passcodes for different condition.



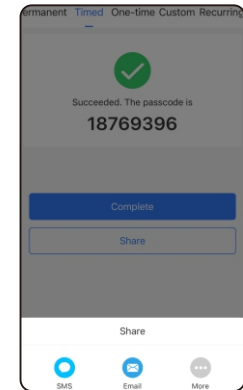
Step 1
Add Passcode



Step 2
Choose Timed Type

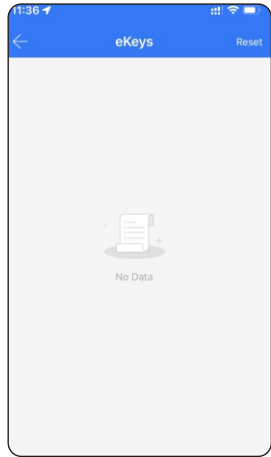


Step 3
Generate Passcode



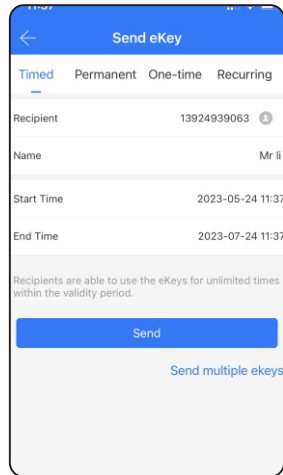
Step 4
Share by SMS or Email

6.6 Enroll eKeys

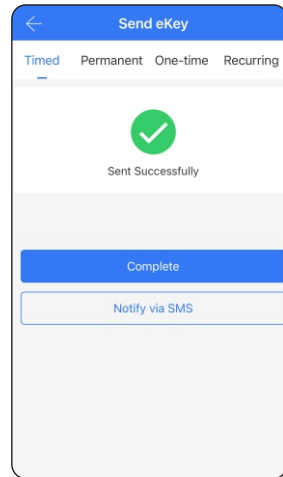


Step 1
Send eKey

Under the lock setting, you can click the option "eKeys" and issue the eKey to other recipient. There is permanent /timed and recurring eKeys for different condition.



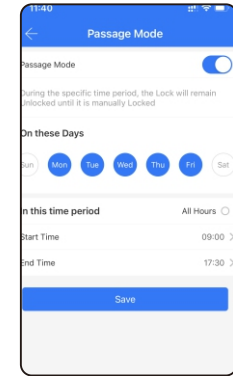
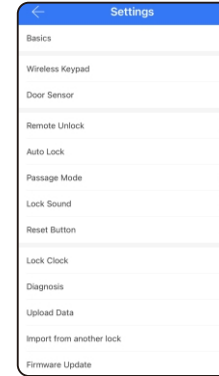
Step 2
Choose Timed Type



Step 3
Complete, you can share with SMS to recipient

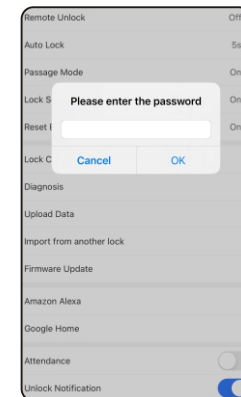
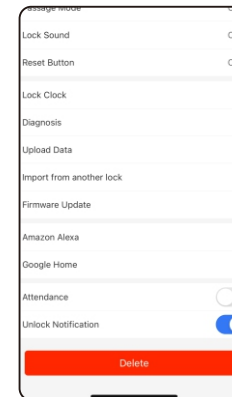
6.7 Passage Mode

Under the lock setting, you can tick "Passage Mode", under this setting the lock will be in always open state, you can disable the passage mode in the APP too.



7 Reset the Lock

Under Lock Settings, you can click the "Delete" button to enter the administrator password reset, the lock will be set to the factory state, you can unlock the keybox with the password: 123456.



8 Remote Unlock Function(with Gateway)

The Wi-Fi gateway is a must to enable the remote unlock function, please refer the parameters below:

Model: **G2**

Dimension: 70x70x26mm

Network: Wi-Fi 2.4G

IEEE Standard: 802.11b/g/n

Power Interface: Type C USB

Power Input: DC5v/500mA

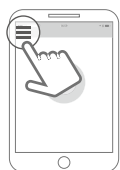
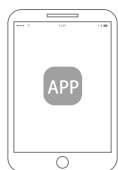
Light Status



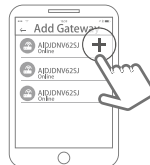
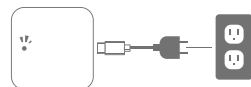
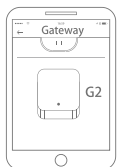
- When the gateway is power on:
 - Light flashes alternately with red and blue;
- Stand by mode, ready for connection...
- Blue light: working mode
- Red light: network failure

8.1 Pair the Gateway with APP

- 1 Activate the App on mobile
- 2 Press the button "☰"
- 3 Select the [Gateway]



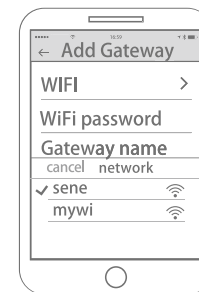
- 4 Select [G2]
- 5 Plug the gateway and power on it, when the light flashes alternately with red and blue
- 6 Press the "+"



- 7 Add Gateway



- 8 Select WiFi and enter password

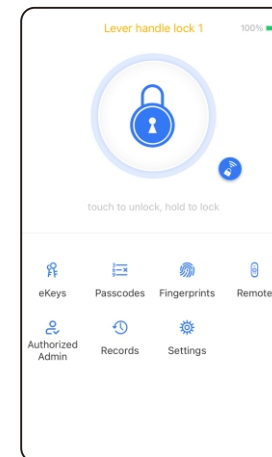
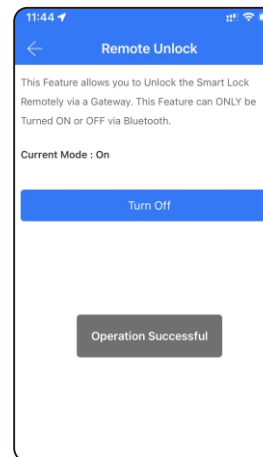


- 9 Finish pairing gateway

⚠ Notice: If times out, please power on the gateway and try it again.

8.2 Remote Unlock

Under the lock setting, you shall first turn on the remote unlock function as the below photo. then you can click the unlock sign near the round circle, there is one tip for remote unlock, you can click it and unlock the door remotely.



9 Troubleshoot and Solution(FAQ)

Q1: Can I unlock the door with my fingerprint at first time?

Answer: After you finish the installation and power on the lock with 4pcs AA alkaline battery and you can press any fingerprint to unlock the door, to ensure you can access the door before you configure the lock with mobile APP.

Q2:What kind of battery shall we use?

Answer: This lock is highly recommended to be powered on by 4pcs AA alkaline battery, do not use any other batteries or other Zn/Mn batteries!

Q3:is the key box auto locked?

Answer: After you unlock the door one time, the door will wait for the lock after 5 seconds, close the "Front-panel" to lock.

Q4: I bought one lock for my friend, how can he add the lock with his mobile?

Answer: Please remove this device from your mobile App you can click the "Delete" to reset the lock or hardware reset the lock refer to page 5 for details.

Q5:is it possible to remotely unlock my door?

Answer: One extra gateway is required for remote unlock, please turn to our sale service line, after configuration, you can press the icon on the app to remote unlock, please refer to page 25.

Q6:How do I open the key box with manual key ?

Answer: Please insert the manual key and Opening and closing panel unlocking, refer to the photo below:

